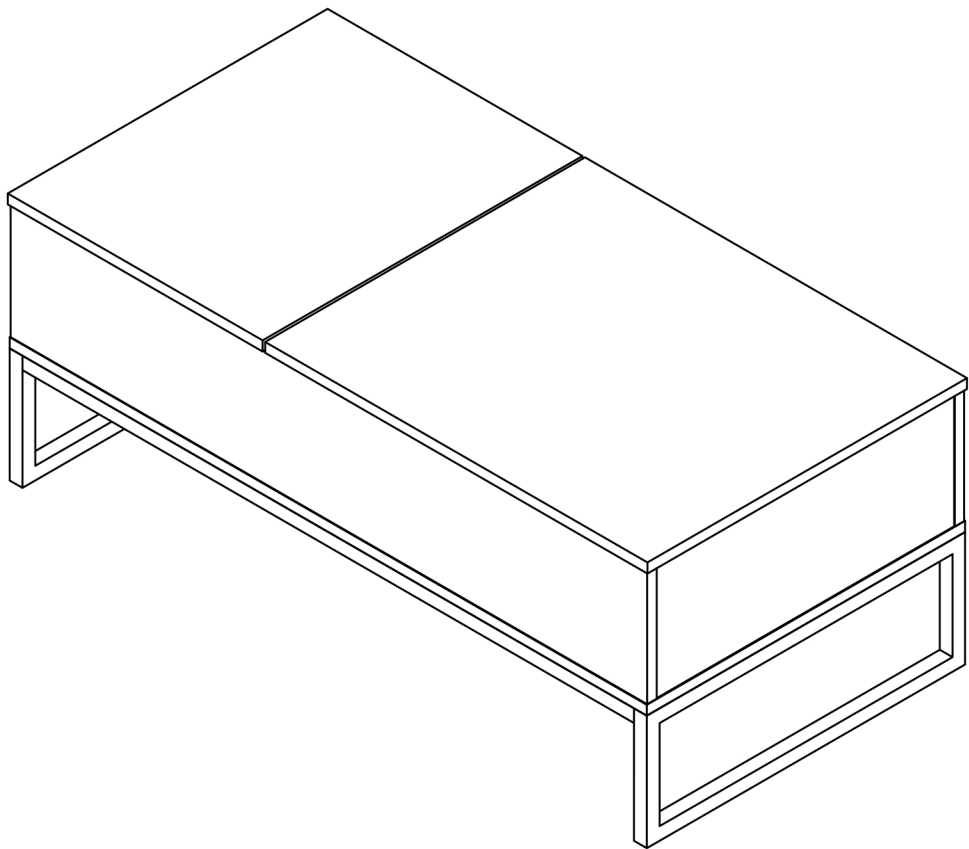


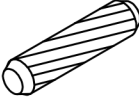

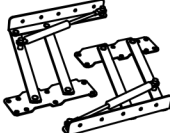

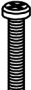
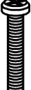

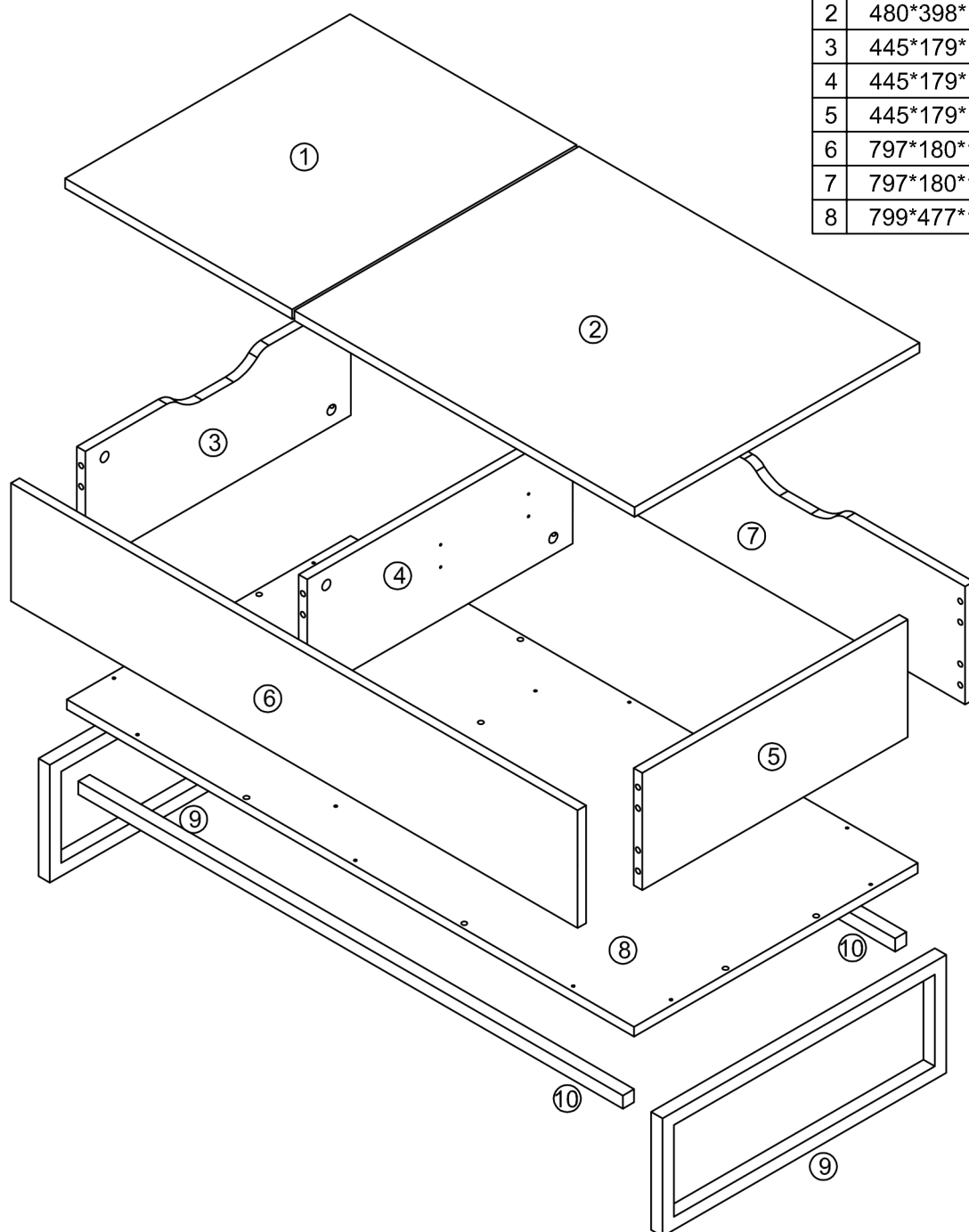


# COMPACT



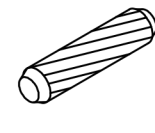
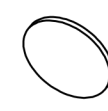


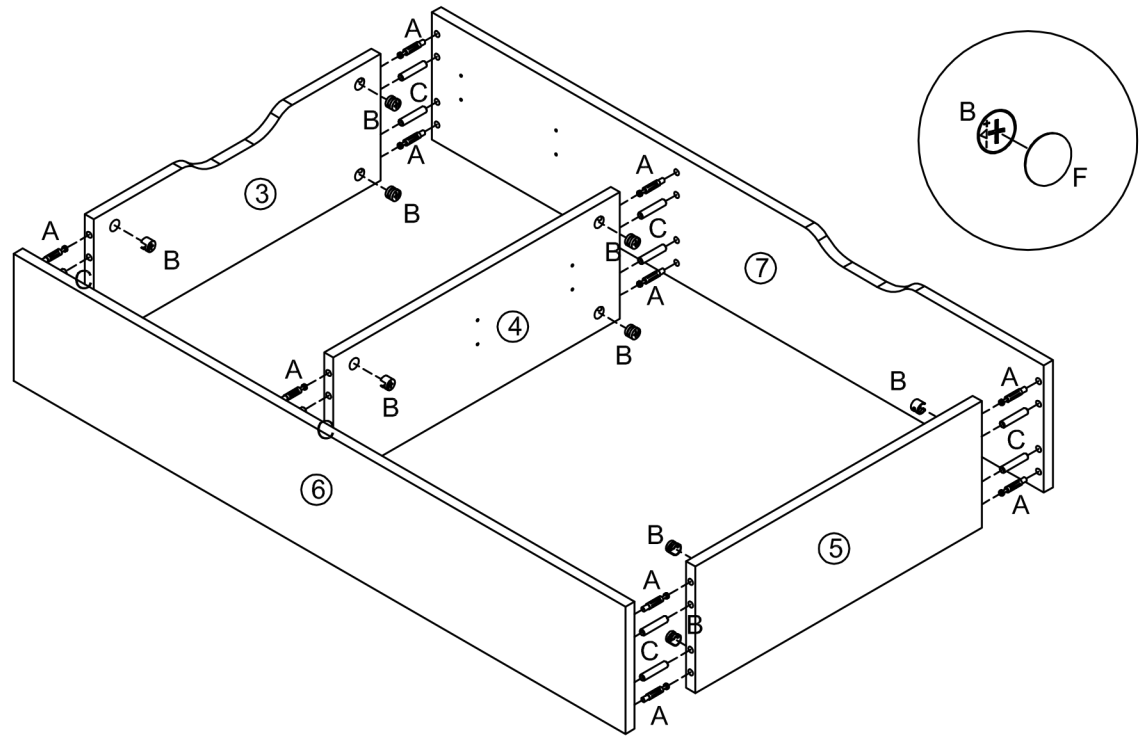
<b>A*12</b>  40 mm	<b>B*12</b>  15 mm	<b>C*22</b>  8*40 mm	<b>D*36</b>  3.5*14 mm	<b>E*2</b> 	<b>F*12</b> 
<b>G*8</b>  6*30 mm	<b>H*4</b>  6*40 mm	<b>J*12</b>  5*40 mm			

N°	MM	QTY
1	480*398*15	1
2	480*398*15	1
3	445*179*15	1
4	445*179*15	1
5	445*179*15	1
6	797*180*15	1
7	797*180*15	1
8	799*477*15	1

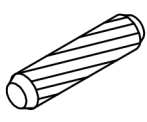



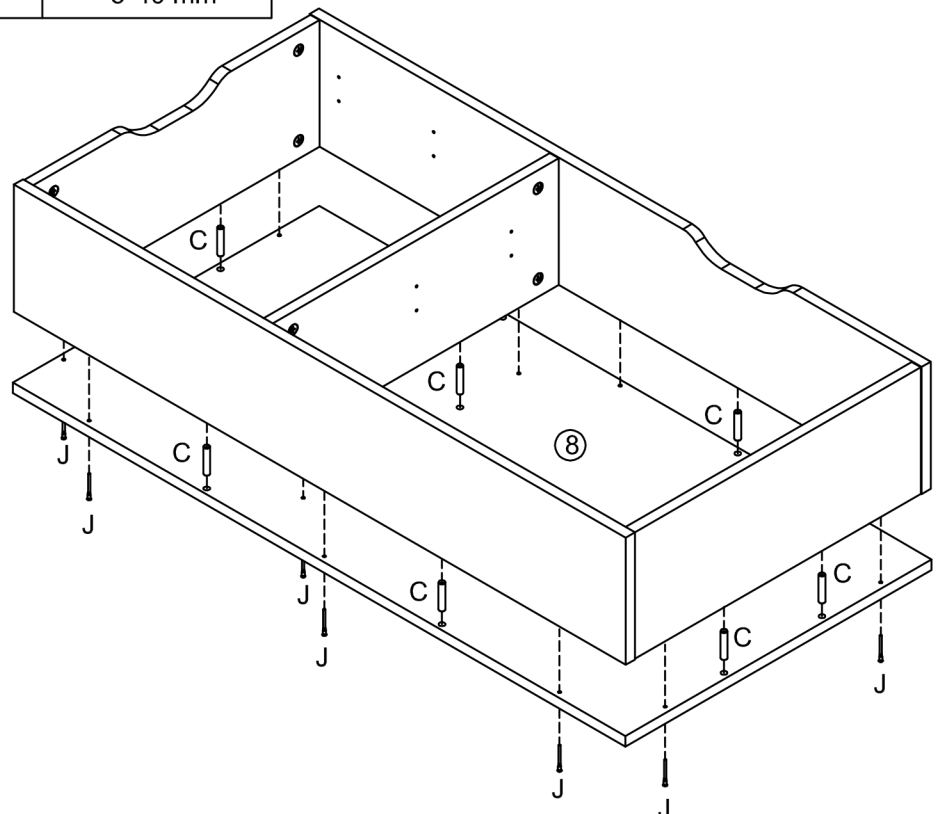
1

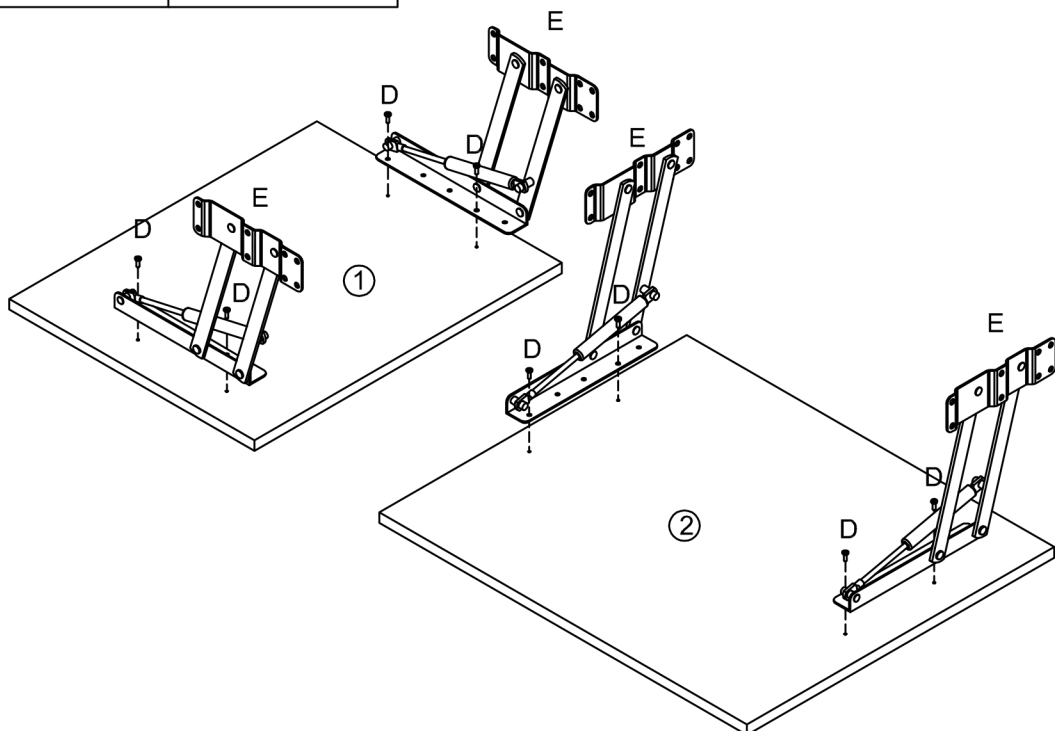
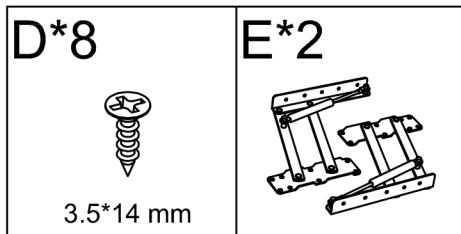
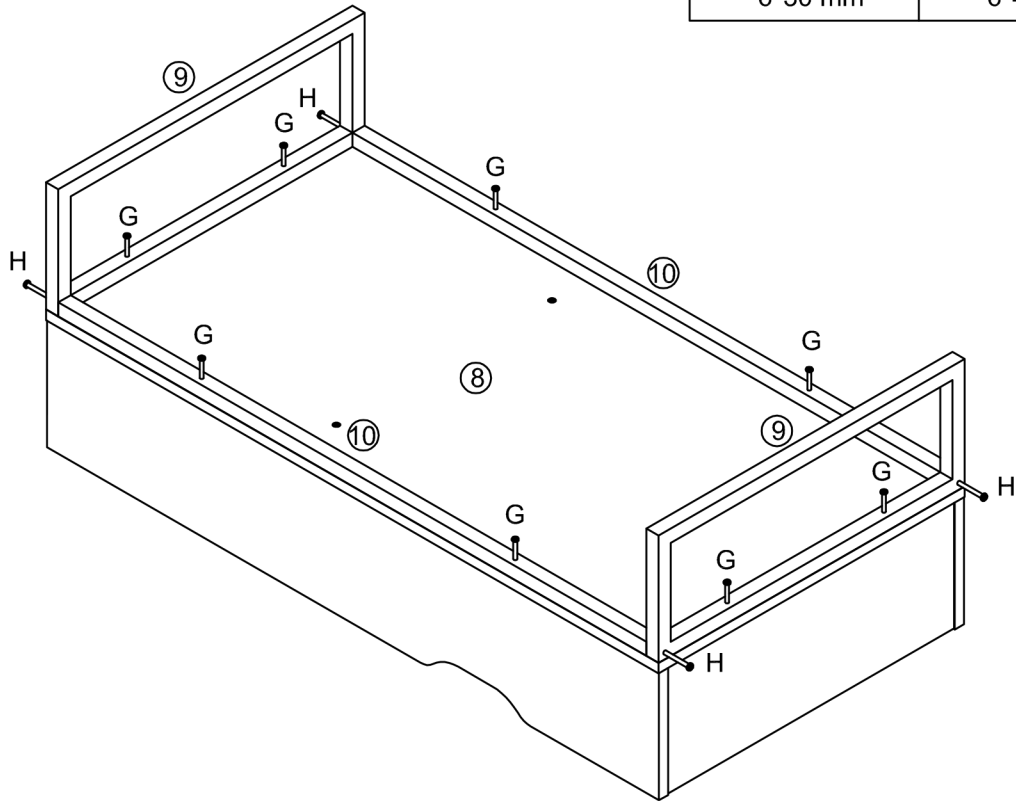
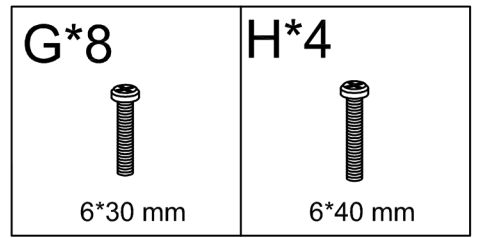
<b>A*12</b>  40 mm	<b>B*12</b>  15 mm	<b>C*12</b>  8*40 mm	<b>F*12</b> 
---	---	---	---



2

<b>C*10</b>  8*40 mm	<b>J*12</b>  5*40 mm
---	---





D\*24



3.5\*14 mm

